

LAZY DAYS HAMMOCK FRAME

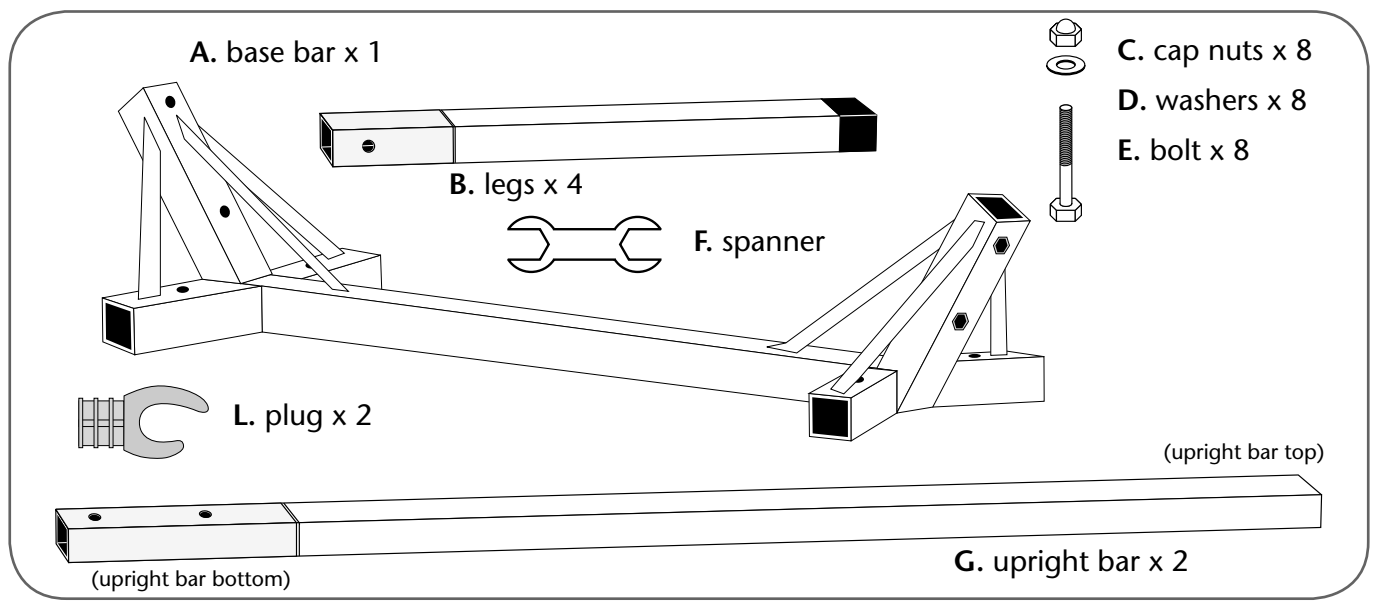
Instructions for Use:

Congratulations! You have just purchased an *Lazy Days Hammock Frame* designed and imported by **The Hammock Company**, Sydney, Australia. This frame has been designed to take several sizes of Hammock Company hammocks. There is a 12-month warranty on all materials and workmanship. Design registration pending. This frame is only suitable for the Lazy Days Hammock.

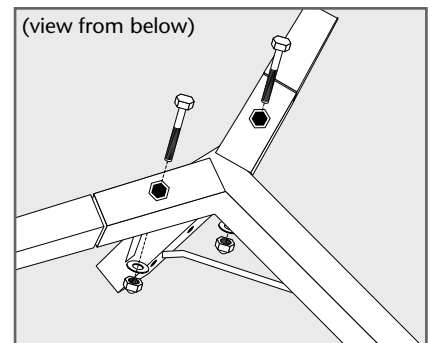
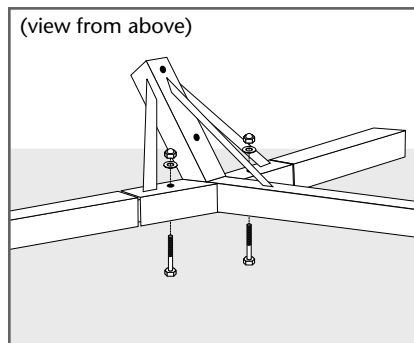
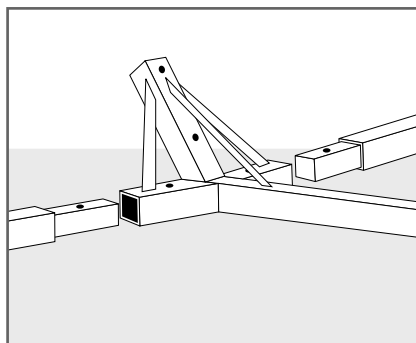
IMPORTANT

- Please read these instructions thoroughly before using the *Lazy Days Hammock Frame*.
- This is NOT a swing. Children must be supervised at all times.
- Maximum load for this frame is 200 kg.
- Do not hang the hammock too high or the frame's weight capacity will reduce.
- Ensure all nuts are tightly secured.
- Store in a dry place when not in use.
- Do not use if rust damaged.

PARTS OF THE ADJUSTABLE HAMMOCK FRAME



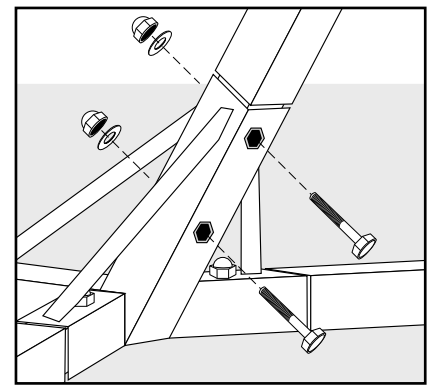
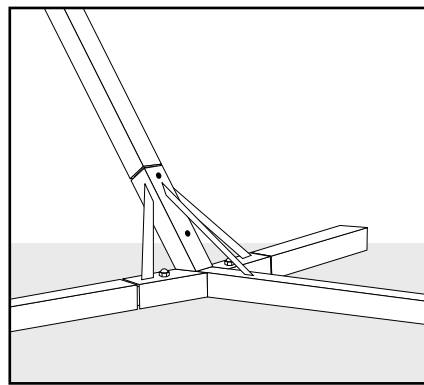
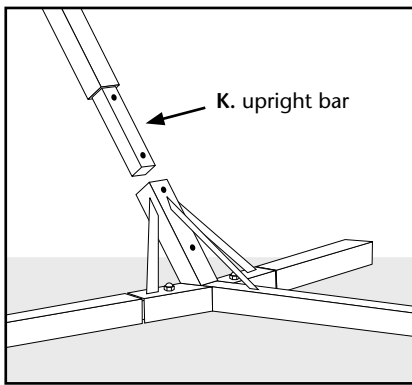
ASSEMBLY



Step 1

- Lay the base bar (A) flat on the ground.
- Insert all four legs (B) into the 4 slots of base bar (A) that are flat on the ground, aligning the holes on both A & B.
- Insert a bolt (E), from the underneath of the base bar (A) so that the hex shaped bolt head fits into the hex shaped impression on the underside of the base bar (A).
- Add a washer (D) to each bolt on the topside of the base bar (A), screw on and tighten a nut (C) on each of the four bolts (E) required, firmly, using the spanner (F).

(Continued over page)

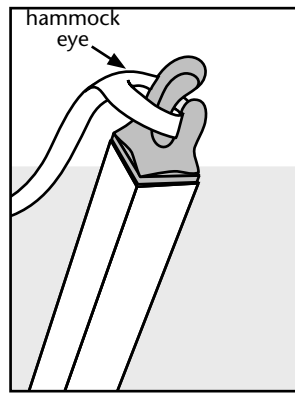
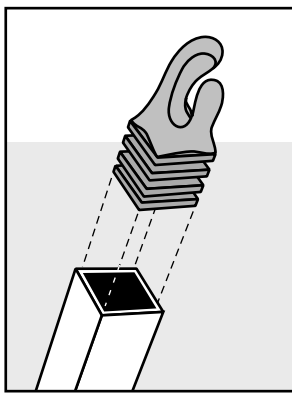


Step 2

- Insert the upright bars (G), into the two remaining upright slots of the base bar (A).
- Insert the bolts from the outside of the frame so that the head of the bolt fits into the hexagonal hole on the

(cont.)

- base bar (A) ensuring that the bolt is flush with the base bar (A).
- Add a washer (D) to each bolt before tightening the nuts securely, using the spanner (F).



Step 3

- Take plug (L), insert into the top of the upright bar (G), so that the 'C' shape of the plug (L) is in line with holes on upright bar (G). Repeat step on other upright.

Step 4

- Make sure that any metal eye inserts inside the eye of the hammock are removed.

Step 5

- Take the hammock and hang it from the top of the 'C' shape of the plug (L).



Maintenance & Care

Your hammock frame is made of steel and will rust over time if left outside. The rust will occur on the inside of the tubes and on any area where the paint is chipped. We strongly recommend that you store your frame in a dry place when not in use. Paint chips can be touched up with an oil-based paint. Inhibitors that can be applied to the insides of the tubes. We recommend K&H "ARP", anti rust protection, which is available in a 400g aerosol can for around \$10-15.

If you have any questions regarding this product please contact The Hammock Co. on (02) 9560 0708.